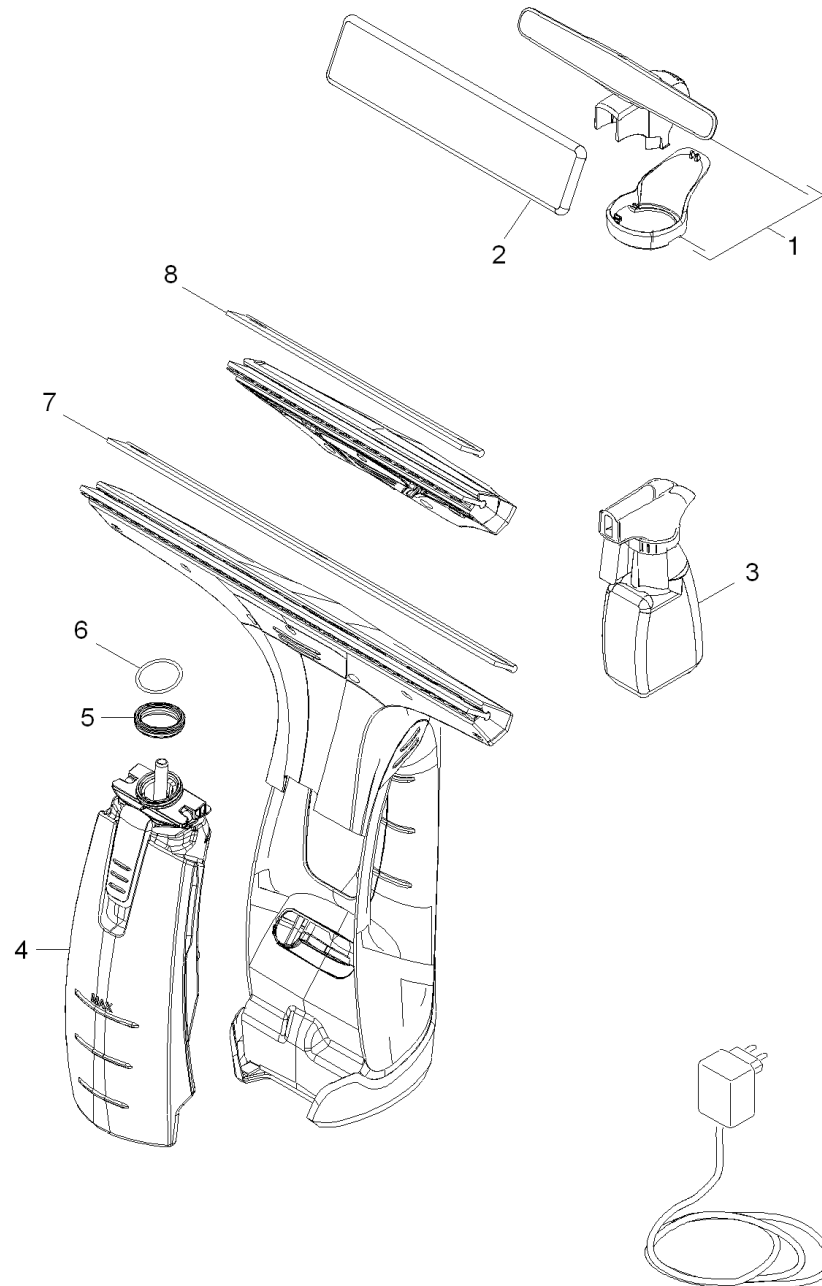


Short spare parts list (1.633-301.3)

Home and Garden \ Window cleaner \ WV 2 Plus *EU \ Short spare parts list



Short spare parts list (1.633-301.3)

Home and Garden \ Window cleaner \ WV 2 Plus *EU \ Short spare parts list

KÄRCHER

POS	Article no.	Description	Quantity	Unit
1	4.633-023.0	Pad retainer complete only for replaceme	1.000	ST
2	2.633-100.0	2 WV microfibre wiping clothes WV50	1.000	ST
3	6.394-844.0	Spray bottle grey blank 250 ml.	1.000	ST
4	4.633-021.0	Tank complete only for replacement	1.000	ST
5	5.633-141.0	Seal tank	1.000	ST
6	6.363-536.0	O-Ring seal 21x1,5	1.000	ST
7	2.633-005.0	Pull-off lip WV 50 (280mm)	1.000	ST
8	2.633-104.0	Pull-off lip WV 50 (170mm)	1.000	ST